

CHANJ

Connecting Habitat Across New Jersey

Brian Zarate, Gretchen Fowles, MacKenzie Hall

New Jersey Division of Fish & Wildlife, Endangered & Nongame Species Program

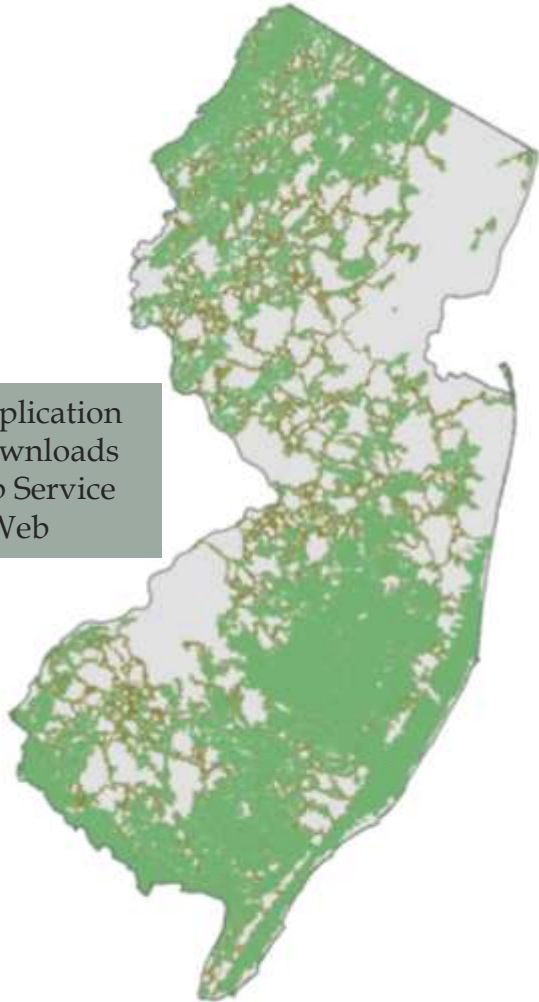
CHANJ Goal

Develop tools and resources to focus efforts on improving size, distribution, and quality of terrestrial wildlife habitat cores and corridors in New Jersey in order to increase the functional connectivity of the landscape.



CHANJ Products

Mapping Tool & Guidance Document



- Web Application
- Data Downloads
- GIS Web Service
- NJ GeoWeb



Transportation Project Delivery Process

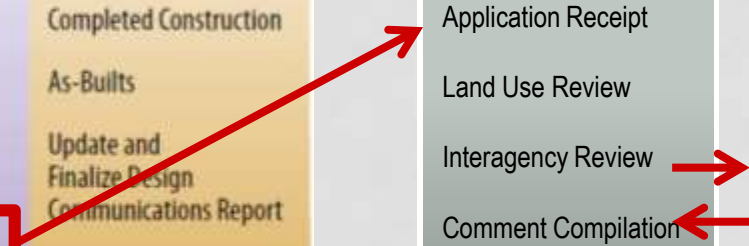
NJDOT

Local Concept Development	Local Preliminary Engineering	Final Design / Right of Way Acquisition	Construction
Purpose and Need Statement	Approved Design Exception Report	Construction Contract Documents and PS&E package	Completed Construction
Data Collection and Environmental Screening Report	Cost Estimates (Final Design, ROW and Construction)	Environmental Reevaluations	As-Builts
Selection of Preliminary Preferred Alternative	Approved Environmental Document	Environmental Permits	Update and Finalize Design Communications Report
NEPA Classification	Approved Project Plan	Acquisition of ROW	Close-Out Documentation
Concept Development Report	Preliminary Engineering Report	Update Design Communications Report	
Create Design Communications Report	Update Design Communications Report		

NJDEP

Land Use Permit Review
Application Receipt
Land Use Review
Interagency Review
Comment Compilation
Project Modification
Permit Decision

Div. Fish & Wildlife



Transportation Project Delivery Process

NJDOT

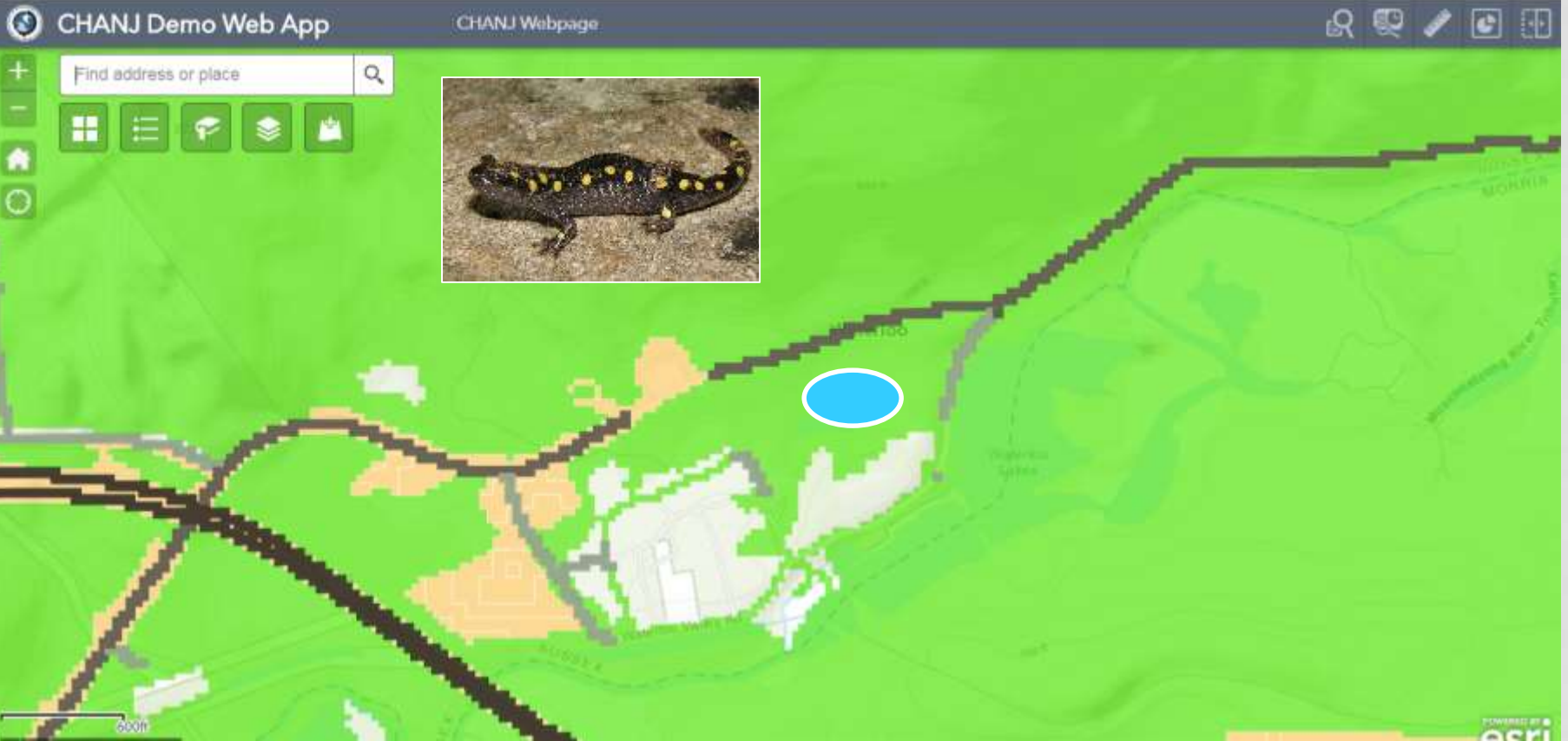
Local Concept Development	Local Preliminary Engineering	Final Design / Right of Way Acquisition	Construction
Purpose and Need Statement	Approved Design Exception Report	Construction Contract Documents and PS&E package	Completed Construction
Data Collection and Environmental Screening Report	Cost Estimates (Final Design, ROW and Construction)	Environmental Reevaluations	As-Builts
Selection of Preliminary Preferred Alternative	Approved Environmental Document	Environmental Permits	Update and Finalize Design Communications Report
NEPA Classification	Approved Project Plan	Acquisition of ROW	Close-Out Documentation
Concept Development Report	Preliminary Engineering Report	Update Design Communications Report	
Create Design Communications Report	Update Design Communications Report		

NJDEP

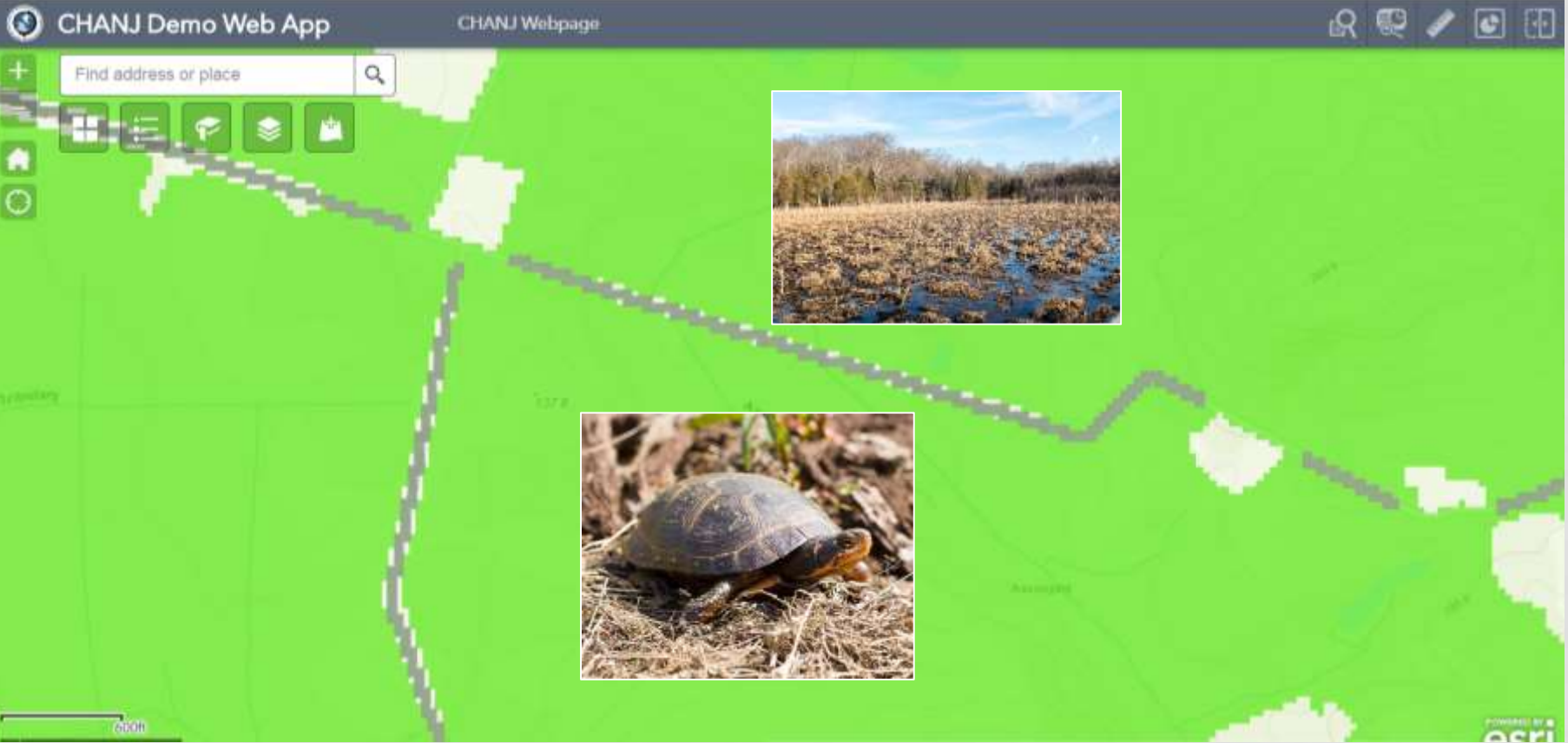
Land Use Permit Review
Application Receipt
Land Use Review
Interagency Review
Comment Compilation
Project Modification
Permit Decision

Three State Land Projects

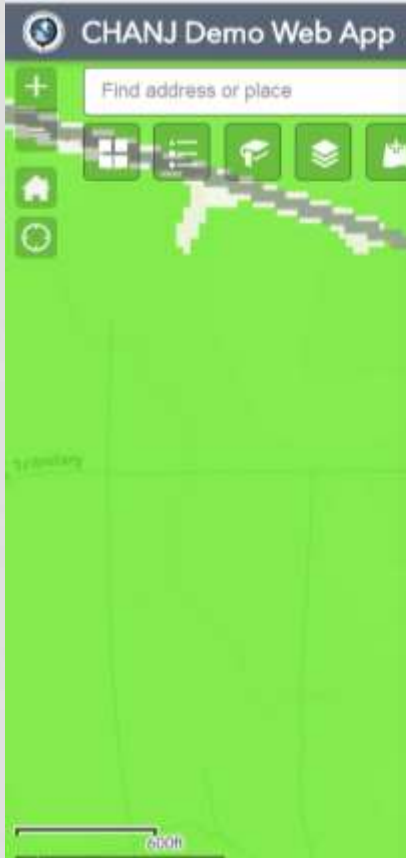
Project Name	Regulated Activity	Wildlife Structure	Species	Mitigation	Funding Source
Waterloo Rd.	N/A	Tunnels and fencing	State special concern species	N/A	NJDOT-TAP, Small grants
Assunpink	N/A	Tunnels and fencing	Federal threatened species	N/A	NJDFW, USFWS
Atlantic City Expressway	Widening	Shelves and Fencing	State threatened species	Habitat loss	Applicant



Project Name	Road Type	Tunnels	Fencing (m)	Monitoring	Construction Cost
Waterloo Rd.	County, 2-lane	4	730 x 2	Pre- & Post-	\$500k +
					Construction Phase
					Planned 2019/2020



Project Name	Road Type	Tunnels	Fencing (m)	Monitoring	Construction Cost
Assunpink	Local, 2-lane	2	167 x 2	Pre- & Post-	\$70k +
					Construction Phase
					Final March 2019



Project Name	Role
Assunpink	Location

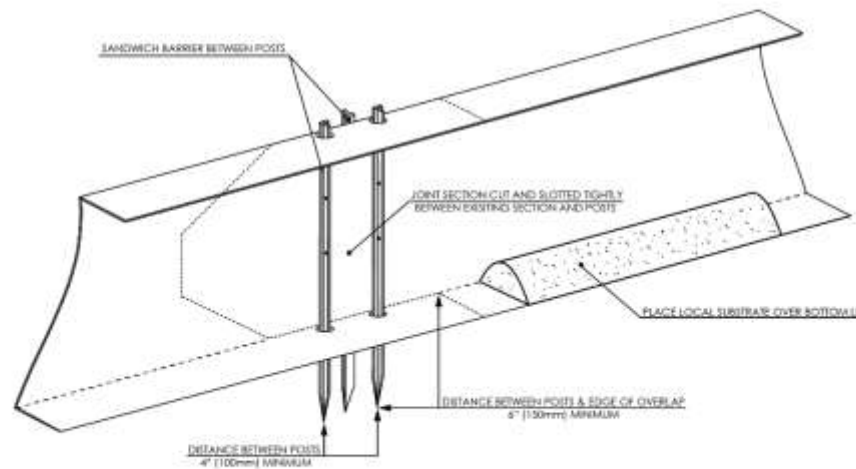
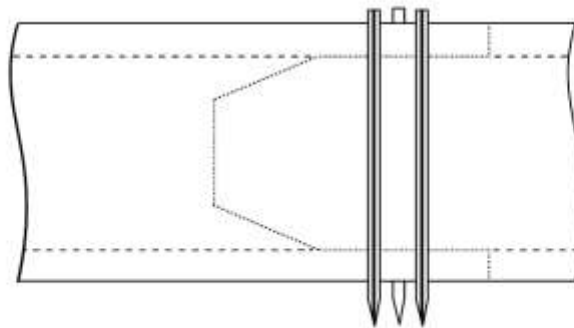
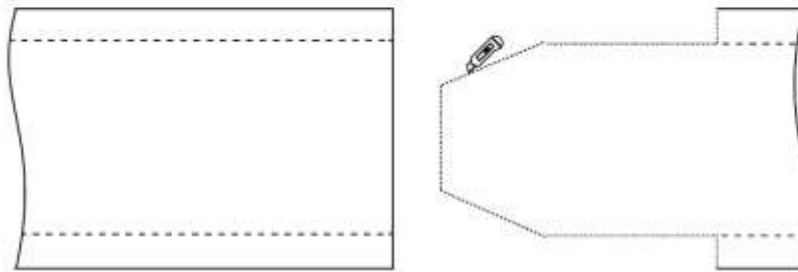
ing	Construction Cost
ost-	\$70k +
	Construction Phase
	Final March 2019



Project Name

Assunpink

Animex - FIXING FREE JOINING



Construction Cost

\$70k +

Construction Phase

Final March 2019



Project Name	Road Type	Tunnels	Fencing (m)	Monitoring	Construction Cost
AC Expressway	State, 4-lane + median	4	3862 x 4	Post-	\$210k +
					Construction Phase
					Final 2012





CHANJ Resources

- **Website:** www.CHANJ.nj.gov
- **Email:** CHANJ@dep.nj.gov
- **Listserve:** <https://www.njfishandwildlife.com/lstsub.htm>

